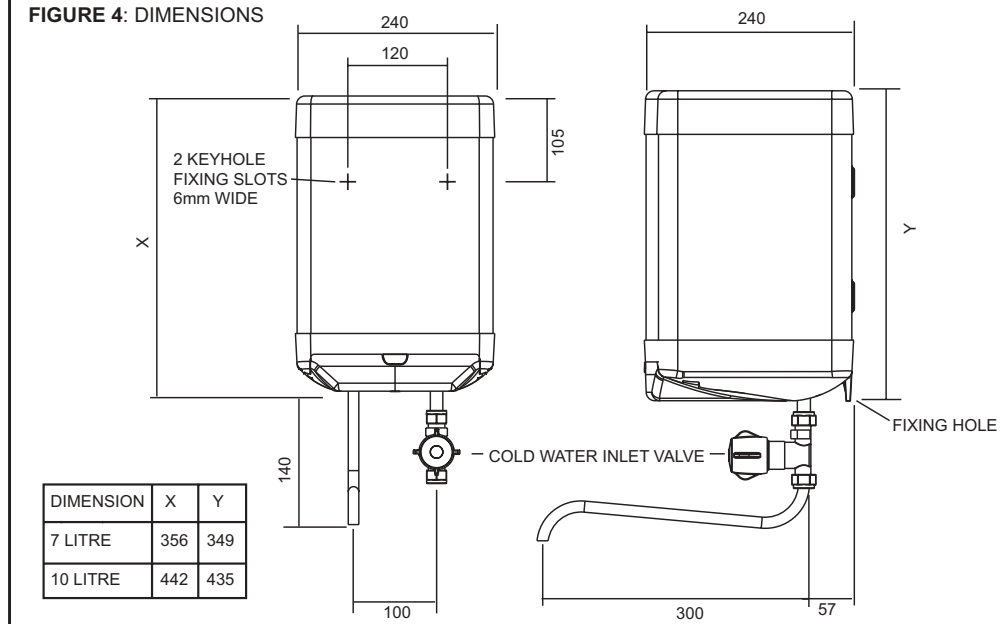


FAULT FINDING

SYMPTOM	PROBABLE CAUSE	ACTION
No hot water	1. Check power	Check and replace as necessary.
	2. Faulty cut out	
	3. Faulty thermostat	
	4. Faulty element	
Water too hot /cold	1. Thermostat set to wrong temperature	Adjust thermostat.
	2. Faulty thermostat	Switch off, check and replace.
No water flow	1. Frozen	Switch off electrical power and allow to thaw at room temperature. Do not switch on again until full water flow restored and full checks made for leaks.
	2. No mains supply	Check mains.
Continuous water flow	Faulty valve/tap	Check and replace.

FIGURE 4: DIMENSIONS



SPARE PARTS

In the unlikely event of your Water Heater developing a fault, the following spare parts are available:

Element plate assembly 1.2kW	95 606 934
Element plate assembly 3kW	95 606 763
Element plate assembly gasket (pk of ten)	95 611 708
Over temperature cut-out	95 612 688
Capillary thermostat	95 612 667
Control valve	95 605 855
Spout adaptor	95 604 677
Spout (12") complete with adaptor	95 604 678
Spout telescopic with adaptor	95 604 213
Terminal cover	95 614 267
Top cover moulding	95 614 265

GUARANTEE

The Manufacturer will make good, by repair or at his option by replacement, defects which, after proper installation, appear in the goods, within a period of 24 calendar months after the goods have been delivered and arise solely from faulty design, materials or workmanship. Provided always that defective parts are promptly returned by the User free to the Manufacturer's works, unless otherwise arranged, the repaired or new parts will be delivered by the Manufacturer free of charge.

Provided further that in respect of parts or components not of the Manufacturer's manufacture, he will give the user a guarantee (if any) which the Manufacturer may have received from the supplier of such parts or components in respect thereof, but not so as to impose on the Manufacturer of such parts or components a liability greater than imposed on him by the preceding paragraph. Save as aforesaid the Manufacturer shall not be under any liability in respect of defects in goods delivered or for any injury, damage or loss resulting from such defects, and his liability under this guarantee shall be in lieu of any warranty or condition implied by law as to the quality or fitness for any particular purpose of such goods.

This guarantee in no way affects the statutory rights of the consumer.

The policy of Heatstore is that of continuous improvement and development, therefore the right is reserved to change specification without notice.

ENVIRONMENTAL INFORMATION

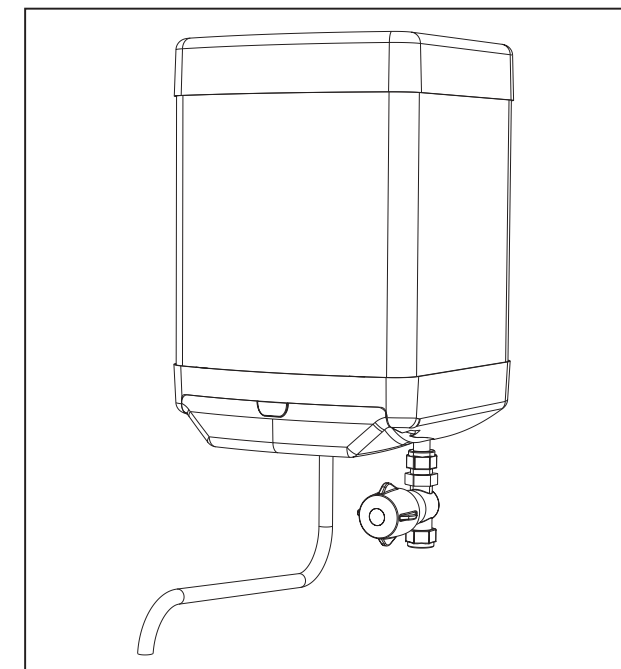
Heatstore products are manufactured from many recyclable materials. At the end of their useful life they should be disposed of at a Local Authority Recycling Centre in order to realise the full environmental benefits. Insulation is by means of CFC-free polyurethane foam.

HEATSTORE

HEATSTORE, VICTORIA ROAD,
AVONMOUTH, BRISTOL, BS11 9DB.
TEL: 0117 923 5375. FAX 0117 923 5374.

HEATSTORE

Installation and User Instructions HS55/3/10N, HS55/3/7N, HS55/1/7N



Please read and understand these instructions before starting work.
Please leave this leaflet with the user following installation

PACK CONTENTS

Heater, Spout, Valve, Fixing screws and plugs, Installation and User Instructions.

WARNING

This water heater must only be installed by qualified persons.

36005793_issue_04

OPEN OUTLET WATER HEATERS

INSTALLATION

1. The cold water inlet must always be on the right.
2. In both under and oversink installations the inlet and outlet connections must remain beneath the heater. (See Figure 3 for undersink installation).
3. The outlet of this water heater acts as a vent and must not be blocked or restricted in any way.
4. Only Heatstore open outlet taps and spouts should be used with this water heater. A full range is available, please consult either your distributor or Heatstore for further information.
5. The installation must be carried out in accordance with the relevant requirements of:
 - The appropriate Building Regulations either The Building Regulations, The Building Regulations (Scotland) or Building Regulations (Northern Ireland).
 - The Water Fittings Regulations or Water Byelaws in Scotland.

POSITIONING THE WATER HEATER

1. Select a suitable site but check that:
 - a) There is enough clearance under the heater to allow removal of the element plate (210mm).
 - b) When using the outlet spout, it will swing over the sink (or sinks) to be supplied.
 - c) There are no hidden services where the wall is to be drilled.
2. Mark the position of the fixing holes (as shown in Figure 4).
3. Drill and plug the hole positions.
4. Screw in the top two screws leaving head 3mm from the wall.
5. Hang the heater on the two top screws.
6. Screw in bottom screw to secure heater.

PLUMBING REQUIREMENTS

The water heater is designed to be connected directly to the mains via the valve provided or Heatstore open outlet tap fittings.

It is recommended that a WRAS listed isolating valve (not supplied) be fitted in the water supply pipe to the heater to allow for servicing.

SPOUT AND VALVE

1. Connect the control valve supplied to the inlet pipe on the water heater.
2. Connect the cold water main to the control valve using 15mm outside diameter pipe (either copper to BS 2871 or stainless steel to BS 4127).
3. Push the outlet spout directly into the outlet fitting.

TO REMOVE OUTLET SPOUT

1. Remove terminal cover.
1. Push grey ring upwards towards body of fitting.
2. Pull spout downwards.

OPEN OUTLET TAP FITTING

1. Ensure electricity supply is switched off.
2. Remove terminal cover (using a flat bladed screwdriver to relieve snaps located towards the front of the terminal cover either side).
3. Plumb from the open outlet tap fitting using 15mm outside diameter copper pipe to the

15x15mm john guest fitting in the water heater. The tap set will have its own installation instructions.

ELECTRICAL REQUIREMENTS (REFER TO FIGURE 2 - WIRING DIAGRAM).

- **WARNING: THIS APPLIANCE MUST BE EARTHED.**
 - **CONNECT ONLY TO 230 / 240V AC SUPPLY.**
 - **NOMINAL CROSS SECTION OF SUPPLY CABLE MUST BE AT LEAST 1.5mm².**
 - **A DOUBLE POLE ISOLATING SWITCH WITH A CONTACT SEPARATION OF AT LEAST 3mm IN EACH POLE MUST BE INCORPORATED IN THE SUPPLY.**
 - **ELECTRICAL INSTALLATION MUST CONFORM TO THE CURRENT I.E.E. WIRING REGULATIONS.**
1. Remove terminal cover (as described above).
 2. Strip the outer sheath and insulation on the cable to the required lengths, making sure the outer sheath of the cable will be held in the cable grip when the connections are made.
 3. Loosen the top screws securing the bar at the cable grip.
 4. Pass the cable through the cable grip.
 5. Make the connections to the terminal block as follows:
 - Live (brown or red wire) to terminal marked “L”
 - Neutral (blue or black wire) to terminal marked “N”
 - Earth (green or green/yellow wire) to terminal marked \oplus .
 6. Secure the cable in the cable grip by tightening the two screws.
 7. Set the adjustable thermostat by rotating the control to the required temperature, the reading being taken from the top of the dial. It is recommended that it is set to lowest acceptable temperature to meet user requirements. This will minimise the risk of scalding and reduce the level of scaling in hard water areas.
 8. Replace terminal cover.

OPERATION

DO NOT SWITCH ON HEATER UNTIL IT IS FILLED WITH WATER

1. Fill with water by opening valve/tap and leaving open until a full bore of water flows from the outlet.
2. Close valve and switch on water heater at double pole isolating switch. The heater will heat water to the temperature set on the thermostat.
 - 7 litre 1.2kW - after 10 mins water temperature will increase by 20°C
 - 7 litre 3kW - after 10 mins water temperature will increase by 50°C
 - 10 litre 3kW - after 10 mins water temperature will increase by 35°C
3. Check water is heating correctly.
 - a) **DO NOT USE HEATER IF THE WATER IS THOUGHT TO BE FROZEN**
Switch off immediately at the isolating switch if the water does not flow freely.
 - b) **DURING HEATING THE SPOUT/TAP WILL DRIP**

Any damage resulting from freezing will not be covered by the guarantee.

This is due to the expansion of water inside the heater and is normal for heaters of this type. It does not indicate that the valve/tap is faulty and overtightening of the valve/tap can result in damage.

