

ST★RGAZER

TELESCOPE

SG50600



www.hsdonline.co.uk

Introduction

General Information

Please read the entire instruction manual before using the product and then save it for future reference. We reserve the right for any errors in text or images and any necessary changes made to technical data. If you have any questions concerning technical problems please contact our Customer Services on 0800 091 3171.

First Time Telescope Users Guide

Congratulations on the purchase of your **Stargazer telescope** - an optical instrument that will help you explore our unique Universe. Simply enjoy views of the moon, planets, cloud formations and nature. Achieve your astronomy goals. This instruction leaflet will guide you through a simple set up and show you how to use a telescope.

Before we start, please digest this important warning: Never at any time look or zoom in at the Sun through any telescope. Parents please make sure your children are aware of this point and that It can just take a few seconds to damage your eyesight.

Safety Instructions

General safety instructions for the Stargazer Telescope:
Warning: Read all the instructions. Failure to comply with the following instructions can lead to serious injury.

SAVE THESE INSTRUCTIONS.

The term "telescope" in the following text refers to your Stargazer Telescope.



NEVER LOOK DIRECTLY AT THE SUN THROUGH A TELESCOPE WITHOUT AN OBJECTIVE SOLAR FILTER!

NEVER LEAVE THE TELESCOPE UNSUPERVISED, EITHER WHEN CHILDREN ARE PRESENT OR ADULTS WHO MAY NOT BE FAMILIAR WITH THE CORRECT OPERATING PROCEDURES OF YOUR TELESCOPE.

Contents

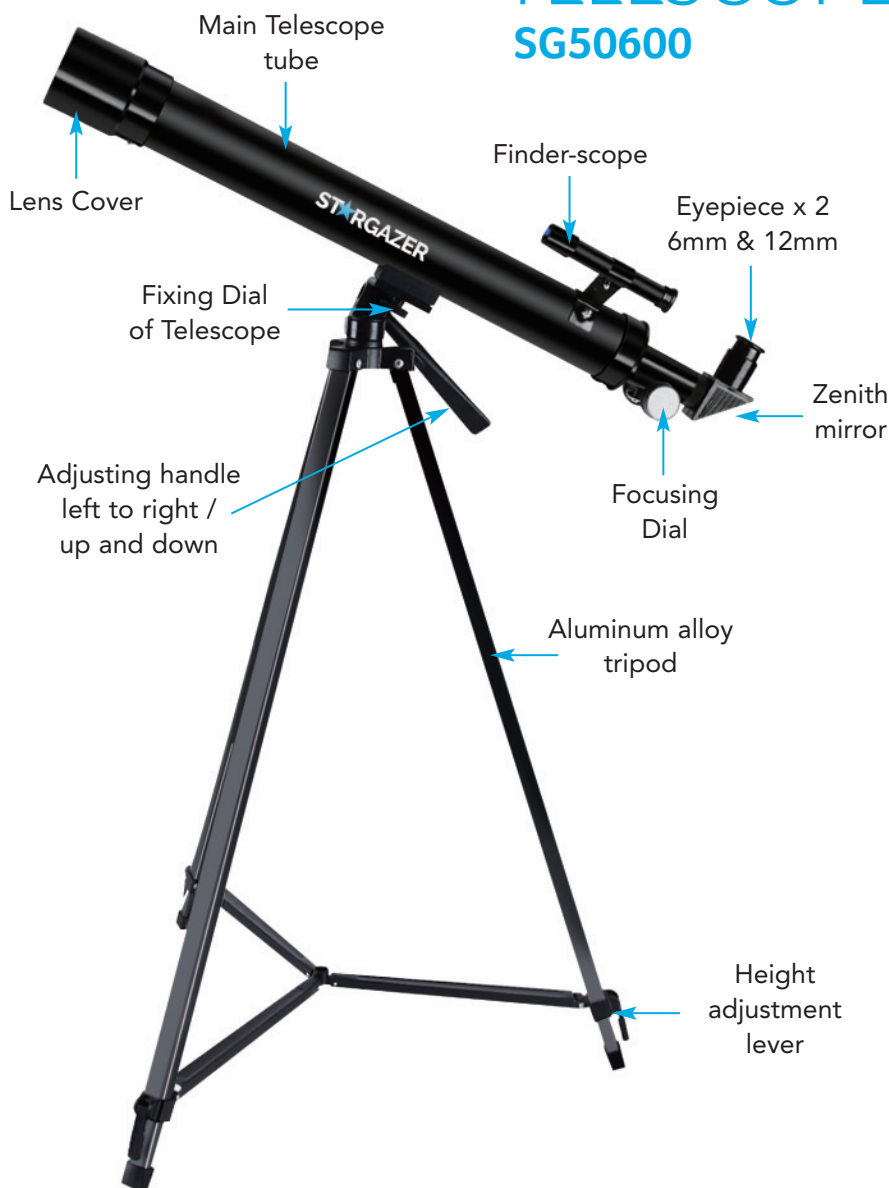
2. Introduction
3. Safety Instructions
4. Parts and Specification
5. Details
6. Setting Up: Step-by-step Guide
7. Start using your Stargazer Telescope
7. Observing Tips
8. Troubleshooting and FAQ
10. Cleaning and Storage
11. Environmental Responsibilities
11. Warranty



Parts and Specification

STARGAZER

TELESCOPE SG50600



Details

Eyepiece:

- The magnification of astronomical telescope eyepieces.
- The magnification is 100x when you use the "6mm" eyepiece, the magnification is 50x when you use "12mm" eyepiece.

The Finder-scope:

The Finder-scope is a valuable part of the telescope when finding your chosen object. To operate properly, the telescope and the finder-scope, should be aligned. The chosen object through the finder-scope has a much broader field of view than that of the telescope. Aligning your chosen image means matching the telescope's image as seen through the eyepiece to the chosen image at the centre of the finder-scope. This way when looking through the finder-scope you know that the telescope is pointing near exactly to the same point as the finder-scope.

Focusing Dial:

Rotate the focuser dial so that the focuser tube moves in and out until you find the best view possible of your target. We suggest that you start by rotating the focuser all the way in and slowly rotate it out until you find the perfect view of your chosen object. You may still need to adjust the telescope slightly if it moves out of position of your chosen target, this is normal and adds to the excitement and practice of finding your target perfectly. Always practice first with the 12mm eyepiece. Remember practice makes perfect.

NOTE: NEVER LOOK DIRECTLY AT THE SUN THROUGH ANY TELESCOPE; THIS CAN CAUSE SERIOUS EYE INJURY.

Eyepiece



Finder-scope



Focusing Dial



Setting Up: Step-by-step Guide



1. Adjust the tripod stand to your preferred height.



2. Attach the main telescope tube to the tripod stand. Attach the finder scope to the telescope



3. Insert and secure the zenith mirror



4. Insert the 6mm or 12mm eyepiece and secure

Start using your Stargazer telescope

Practice during the day:

Please remove the lens protectors first and fit the 12mm eyepiece. Twist the "Adjusting Handle" which will let you move the telescope up and down and left to right. Point the telescope using the finder-scope to a distant object during the day. It is important to practice this during daylight so that you get familiarised with the telescope operation and how to secure the telescope into position when you have chosen your target, practice makes perfect .

A good target is a church tower, distant tree, a chimney or a distant mountain peak if possible. Once your target is found twist the "Adjusting Handle" to lock into position, rotate the focusing dial so that the focuser tube moves in and out until you find the best view possible, you may still need to adjust the telescope slightly if it moves out of position of your chosen target, this is normal and adds to the excitement and practice of finding your target perfectly. We suggest that you start by rotating the focuser all the way in and slowly rotate it out until you find the perfect view of your chosen object. Always practice first with the 12mm eyepiece, once you have practiced and mastered the telescope you are ready to move onto night time viewing. Remember practice makes perfect.

Astronomer:

On your journey to become an established Astronomer it is important to study readily available astronomy magazines, or study the internet which will give you valuable information, updates and the locations of the planets and best viewing dates and times as they change position from month to month.

Observing Tips:

Try to view objects that are high in the sky if possible. Waiting until the object rises well above the horizon will provide a brighter and crisper image. Objects on the horizon are viewed through several layers of earth's atmosphere. Ever wonder why the moon appears orange as it sets on the horizon? It's because you are looking through a considerable more amount of atmosphere than you would directly overhead. (Note: If objects high in the sky are distorted or wavy, you are probably viewing on a very humid night and can be frustrating.) During nights of unstable atmosphere and overcast conditions, viewing through a telescope can be frustrating, if not impossible, at times. Astronomers refer to crisp, clear nights as nights of "good viewing" and will study the internet and weather forecasts for the perfect night.

NOTE: NEVER LOOK DIRECTLY AT THE SUN THROUGH ANY TELESCOPE; THIS CAN CAUSE SERIOUS EYE INJURY.

The Moon:

The moon is the easiest target to find at night. When the moon is in full position, it bathes the night with a silvery light that washes the sky of all but the brightest objects. The best time to view the moon is not when it is full, but rather when it is less than half full. The dividing line between dark and light on the moon, called the terminator, shows the best detail.

Troubleshooting and frequently asked questions

Q: I can't get to focus my telescope, only get a bright circle.

A: Make sure you have inserted the diagonal Zenith mirror and an eyepiece (start by the lowest power eyepiece – 12mm).

Q: I use the finder-scope to point to objects but I always miss the target.

A: You probably need to realign the finder-scope on the target if you accidentally nudge the telescope. After and learning how to tighten the telescope into position of the target you will find you improve on this.

Q: The stars only appear as points in the telescope, is this normal?

A: This is normal. Stars will always appear only as points, even in the largest telescopes in the world. It is more interesting for beginners to observe two-dimensional objects, such the moon or planets. Once you find these, you will be able to start learning about the astronomical calendar.

Q: I can't see anything when I look through my telescope. Did I do something wrong?

A: Check you have removed all the lens dust caps. All telescopes are only suitable for astronomical observing and when used outside at night when the sky is clear is when you achieve the best results. Observing from inside a house through a window or during the day is not usually best practice unless practising and learning how to use the telescope.

NOTE: NEVER LOOK DIRECTLY AT THE SUN THROUGH ANY TELESCOPE; THIS CAN CAUSE SERIOUS EYE INJURY.

Please Note: If you wear corrective lenses (specifically glasses) you may want to remove them when observing with an eyepiece attached to the telescope. If you have astigmatism then corrective lenses should be worn at all times.



Moon

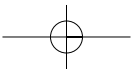
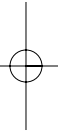
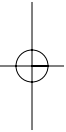


Cleaning and Storage:

A good storage place should be dry, dust-free, secure, and large enough to get the telescope in and out easily. Ideally, store the telescope in its storage bag when not in use. Always fit the lens covers when not in use.

For Basic Cleaning:

1. Use suitable compressed air to blow off loose dust and large particles.
2. Use a lens cleaning solution for telescope lenses to gently lift off any remaining dirt or smudges.
3. Use the solution to wet soft, plain tissue or cotton balls for larger optical surfaces or cotton swabs for small parts like eyepiece lenses.
4. Make sure the lens protection caps are fitted and gently wipe the body over with a soft cloth.



Environmental Responsibilities



Meaning of crossed-out wheeled dustbin:

Do not dispose of electrical appliances as unsorted municipal waste, use separate collection facilities.

Contact your local council for information regarding the collection systems available.

If electrical appliances are disposed of in landfills or dumps, hazardous substances can leak into the groundwater and get into the food chain damaging your health and well-being.

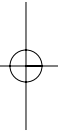
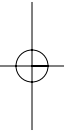
When replacing old appliances with new ones, the retailer is legally obligated to take back your old appliance for disposal free of charge.

SERVICE WARRANTY

Hygiene Supplies Direct guarantees the product free from defects in materials and workmanship for a period of 1 year from date of purchase.

Should this unit be operated under conditions other than those recommended in the manual or indicated on the unit, or any attempts made to service or modify the unit, then the warranty will be rendered void. The product you buy may sometimes differ slightly from illustrations. This warranty is in addition to, and does not affect, your statutory rights.

If you have any problems with this product, please call our Help Desk on **0800 091 3171** or email sales@hygienesuppliesdirect.com



YESSS Electrical Ltd, Normanton, WF6 1TN declares that the Stargazer Telescope is exclusively manufactured and imported for Hygiene Supplies Direct Ltd.

